

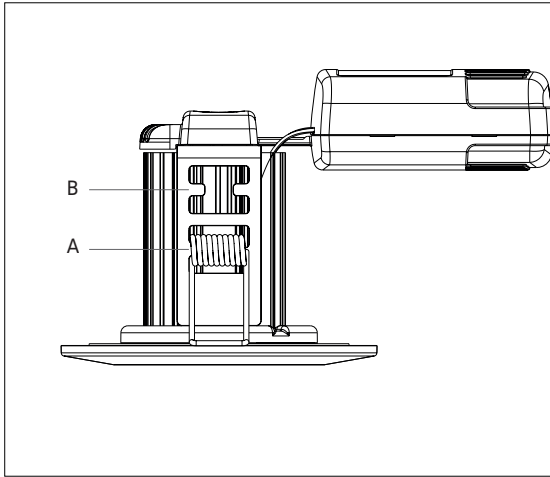
HALERS H2 DIM

INSTALLATION INSTRUCTIONS

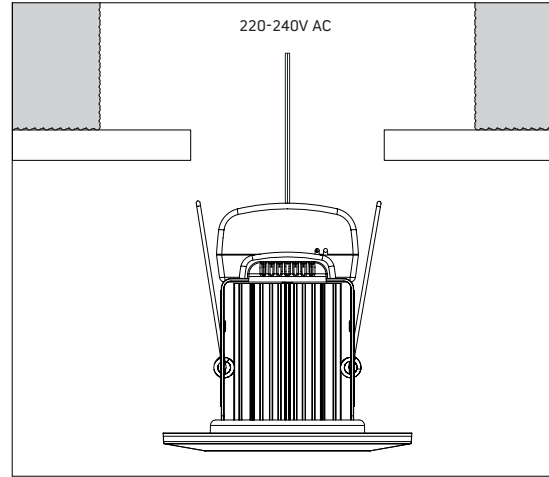
Halers Lighting Ltd Brooklands House Sywell Aerodrome Sywell Northants NN6 0BT
 t 01604 679700 f 01604 679701
 e sales@halers.com w halers.com

HALERS
LIGHTING

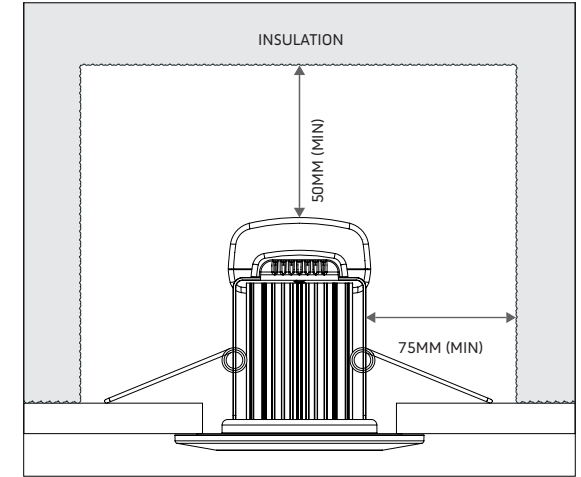
1. SPRING CLIP POSITION



2. PUSH SPRING CLIP UPWARDS



3. ALLOW ADEQUATE ROOM



INSTALLATION

- This unit must be wired by a qualified electrician or suitably competent person.
- Halers advises the following maximum loads to assist functionality of the dimming driver when used with standard mains wall dimmers :
 5 x units on a 250W dimmer
 10x units on a 400W dimmer
 15x units on a 1000W dimmer
- For maximum number per circuit breaker, use the recommended quantities as for a standard mains 50W halogen lamp.
- The above figures are for guidance only. All installations must comply with the appropriate standards.
- If flickering is experienced, a different dimmer may be needed.
- Ensure that the area in which the unit is fitted will have adequate free air circulation. Minimum air gap around and above unit as shown in diagram 3.
- Terminal block not included.
- Cut a suitable hole in the ceiling for each unit. (For hole sizes see the chart below) NOTE: Before cutting, ensure no positions are under joists, cables, pipes etc.

- For ceiling material thickness up to 22mm, the spring clips are fitted in position A, as shown in diagram 1. For thickness over 22mm and up to 38 mm, fit the spring clips in position B.
- Disconnect mains supply prior to wiring.
- Connect the LED driver flying lead to the mains supply using a suitable connector or junction box. The weight of the unit should be supported when making connections.
- Push the springs clips upwards, insert the unit through the hole to secure unit into ceiling, as in diagrams 2 and 3.
- This unit must be fitted reasonably central to the hole, as shown in diagram 3. Extreme off-centre fitting will compromise the seal between the unit and the ceiling.
- Clean the front of the product regularly with a cloth, and ensure not to disturb the IP seal or plastic bezel to maintain IP integrity.

Product	Hole size (min)	Hole size (max)
HALERS H2 DIM	60mm	70mm

PRODUCT FEATURES

- Patent No. 2462155
- Mains dimmable.
- Compatible with most leading and trailing edge dimmers.
- Integrated LED driver for straight to mains wiring.
- Input power 8.5W
- Safety Extra Low Voltage (SELV)
- 220-240V AC, 50/60Hz input for LED driver
- LIVE - BROWN WIRE | NEUTRAL - BLUE WIRE
- Double insulated LED driver, no earth required
- Suitable for 30, 60, and 90 minute fire-rated ceilings
- Fire resistance tested for load bearing elements, part 2, BS EN 1365-2:2000
- Complies with the following safety building regulations :
 Part P - Electrical Safety
 Part B - Fire Safety
 Part C - Contaminants and Moisture
 Part E - Acoustic (resistance to passage of sound)