

DL/03/WH/F/NW (HALERS H6)

Product overview

This innovative high power LED downlight is set to revolutionise the way ambient lighting is specified and offers a truly superior alternative to ordinary compact fluorescent luminaire. Unparalleled optical performance coupled with energy savings of up to 40% (compared with traditional CFL variants) and Luminaire efficacy figures of 56lm per circuit Watt. UK Building Regs Parts L1 and L2 compliant. Selectable output allows installer to replace 1 x 18W, 2 x 18W and 2 x 26W conventional downlights with just 1 product.



Features

- Integrated LED driver.
- Meets building regulations.
- Compatible with building control systems.
- 60,000 hour life (approx.)
- 80° beam angle.
- Flexible cut-out size.
- Dimmable.
- Double insulated.
- High lumen output.
- Selectable light output.
- 35W power consumption (700mA)
- Plug and Play connection.
- 7 year warranty

Benefits

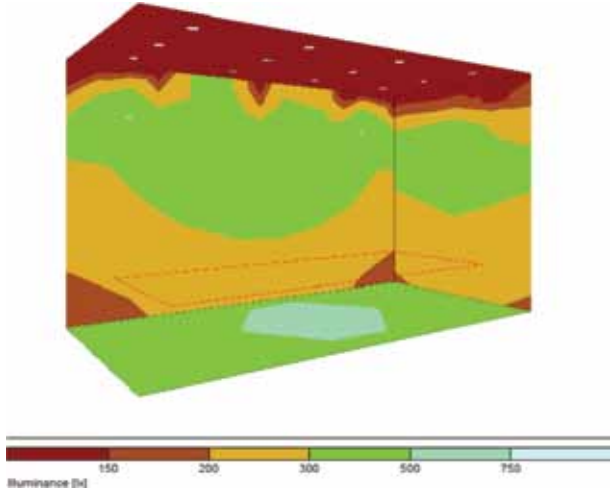
- Straight to mains connection.
- Parts L1 & L2 compliance.
- Flexibility with other energy saving systems.
- Save time/money on maintenance.
- Wide spread of light.
- Fits a 160-170mm cut-out.
- 1...10V, PUSH & DALI
- No earthing required.
- Comparable to conventional PL / CFL down lights.
- 1950lm, 1500lm & 1100lm (2 x 26W 2x 18W, & 1 x 26W)
- Surpasses energy and efficacy requirements for part L.
- Reduced installation time.
- Fit & forget confidence.

Specification

Specification data.	
Product code	DL/03/WH/F/NW
Bathroom zone	N/A
Beam angle	80°
Colour temperature	4000° kelvin (neutral white)
CRI (colour rendering index)	80
Cut-out	Ø 160mm
Dimensions	Ø 190 x h 160mm
Energy saving	40% (vs CFL)
Fire-rated	N/A
Ingress protection (IP)	IP20
Life (approx)	60,000 Hrs
Luminous flux	350mA = 1100 lm 500mA = 1500 lm 700mA = 1950 lm
Luminous efficacy	350mA = 61 Lm/W 500mA = 58 Lm/W 700mA = 56 Lm/W
Lux at 1m	350mA = 824 lx 500mA = 1136 lx 700mA = 1500 lx
Voltage	240V (straight to mains)
Wattage	350mA = 18w 500mA = 26w 700mA = 35w
Weight	1.7 kg

DL/03/WH/F/NW (HALERS H6)

Relux output. Halers H6

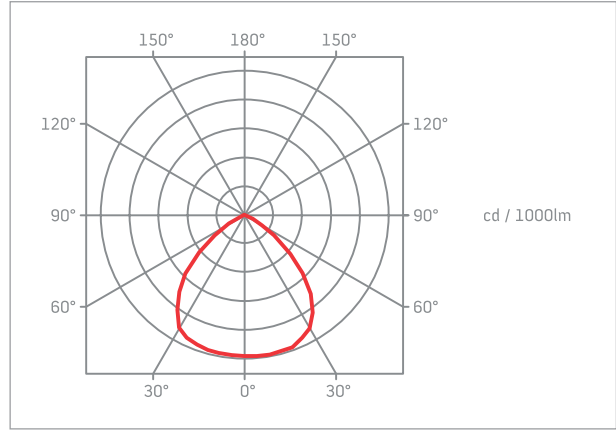


Installation comparison - 6 x 3 x 3m room.
 Lux level required - 500lx on workplane

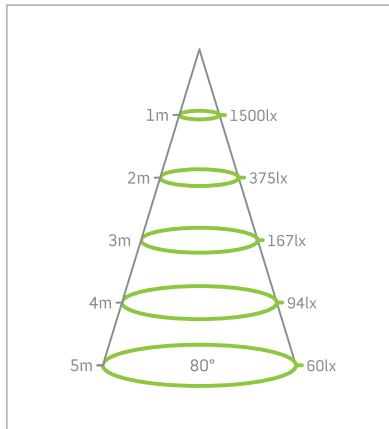
Results.

Halers H6 (700mA) - x 12 (420W)
 Typical 2 x 26W CFL - x 16 (832W) - Save 412W

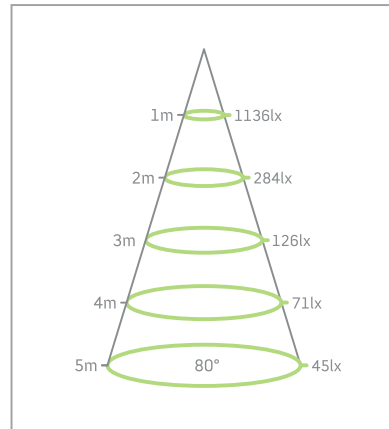
Polar Curve



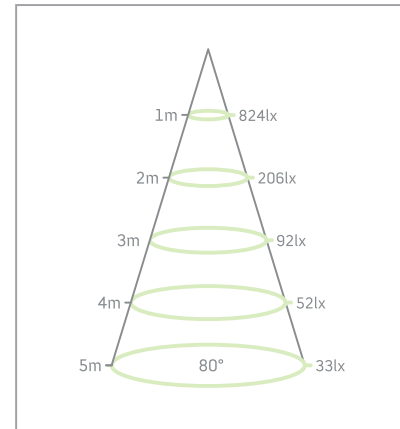
700mA



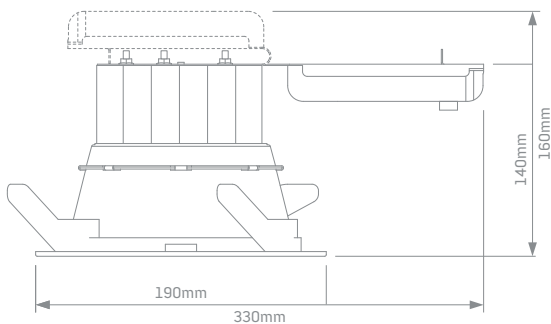
500mA



350mA



Dimensions



Halers Lighting publish the exact light output details of our fittings, which are confirmed by independent 3rd party test houses, including the Photonics Cluster (UK), and The Lighting Association (UK). We test the 'Absolute Photometry' (LM79) at room temperature, of the complete fitting. We believe that independent testing is the only solution to provide consumers with absolute confidence in our products. This has been driven by the current trend within the LED market for publishing unverified and misleading results.