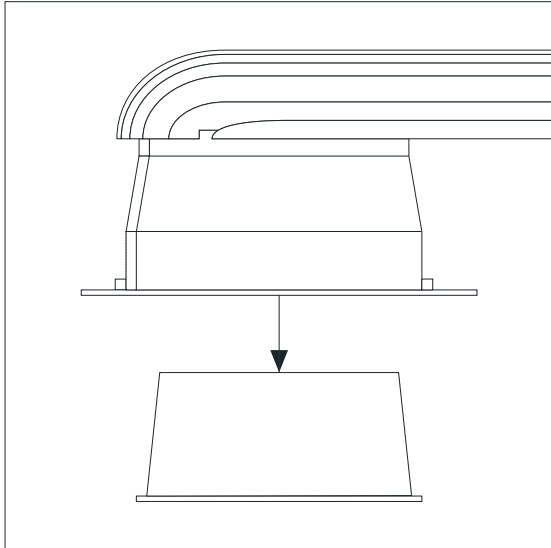




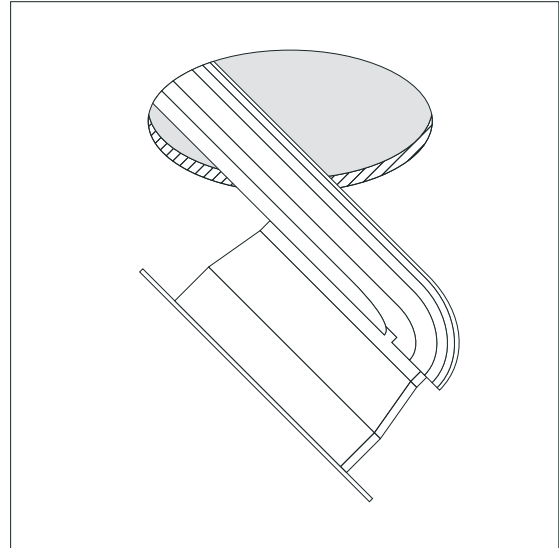
RevoLED

INSTALLATION INSTRUCTIONS

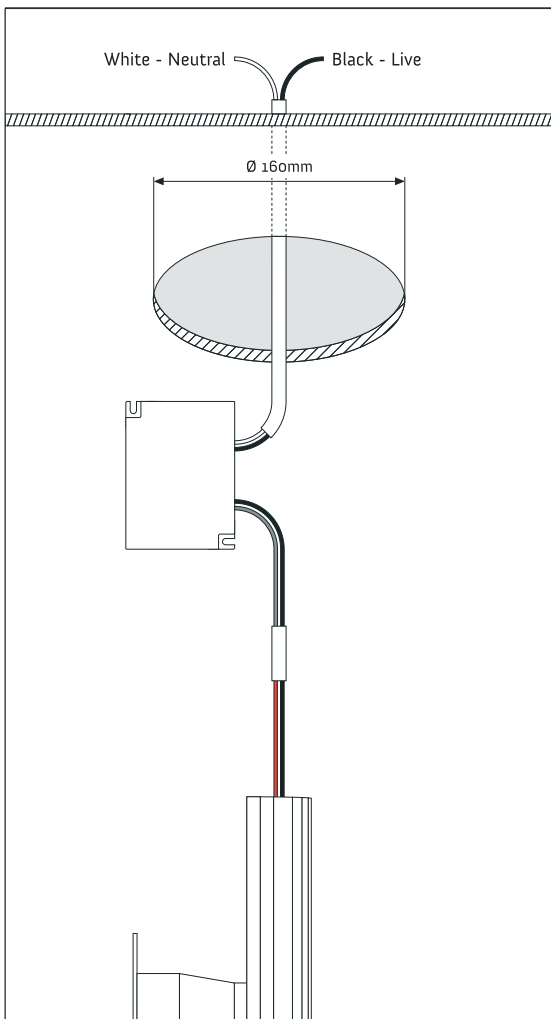
1. Remove RevoLED carefully from packaging.
2. Before installation carefully remove reflector.



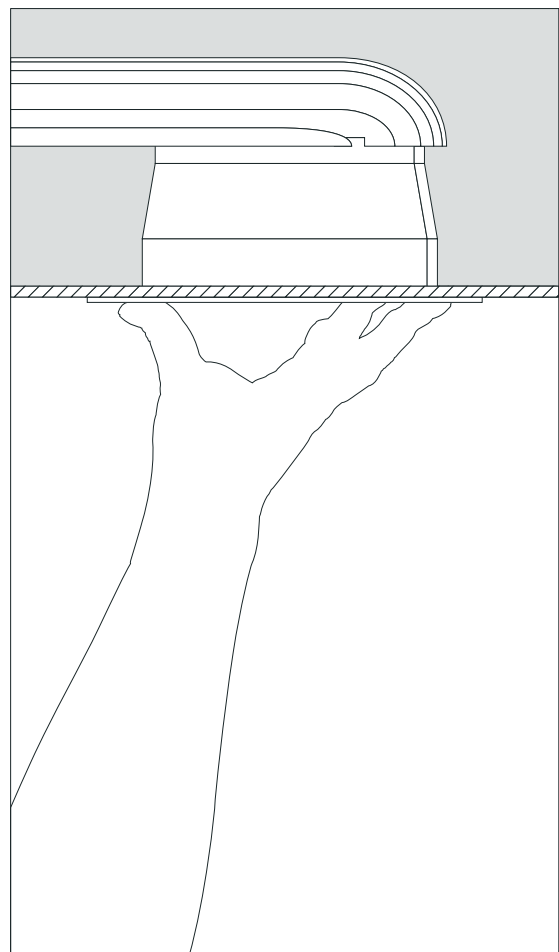
4. Push power supply through ceiling void. (Hole \varnothing 160mm)
5. Push RevoLED into ceiling void.



3. Connect mains cabling to 240v, 50-60Hz mains supply.



6. Hold RevoLED flat to ceiling using one hand.

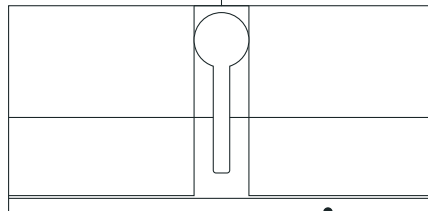
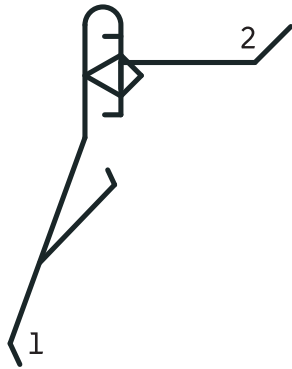
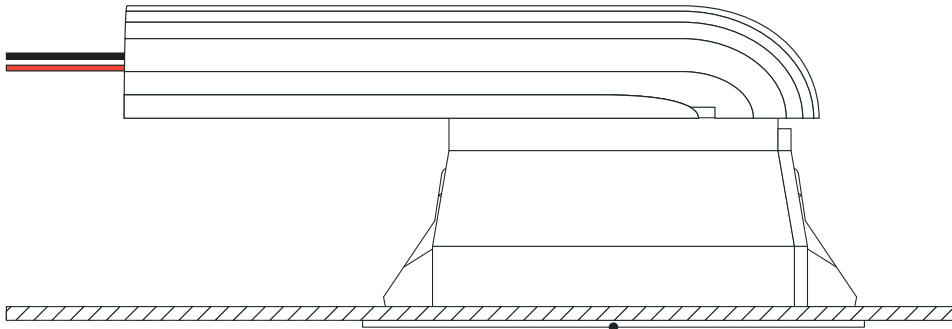


7. For clip installation see overleaf.



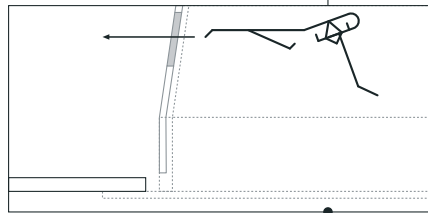
RevoLED

INSTALLATION INSTRUCTIONS

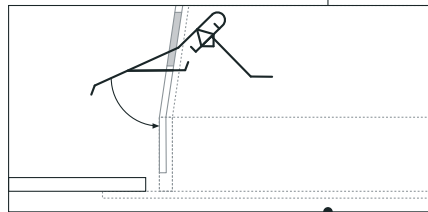


Holding the RevoLED flat against the ceiling...

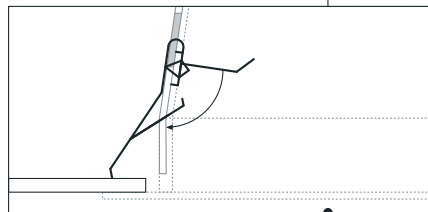
7a. Locate the clip positioning hole.



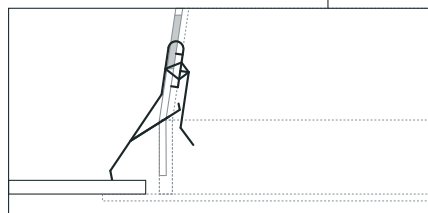
7b. Insert the clip inside.
Place long leg through round hole.



7c. Keeping short arm (2) on inside of unit,
slide the whole clip downwards.



7d. When clip reaches ceiling surface, push
the short arm (2) down until it snaps
shut against the metal surface.



7e. The unit is now secured in ceiling.
Replace reflector from step 1.